

Instruction Manual

DAYTONA



Micro Indicator



Dec. 2024

Product Features

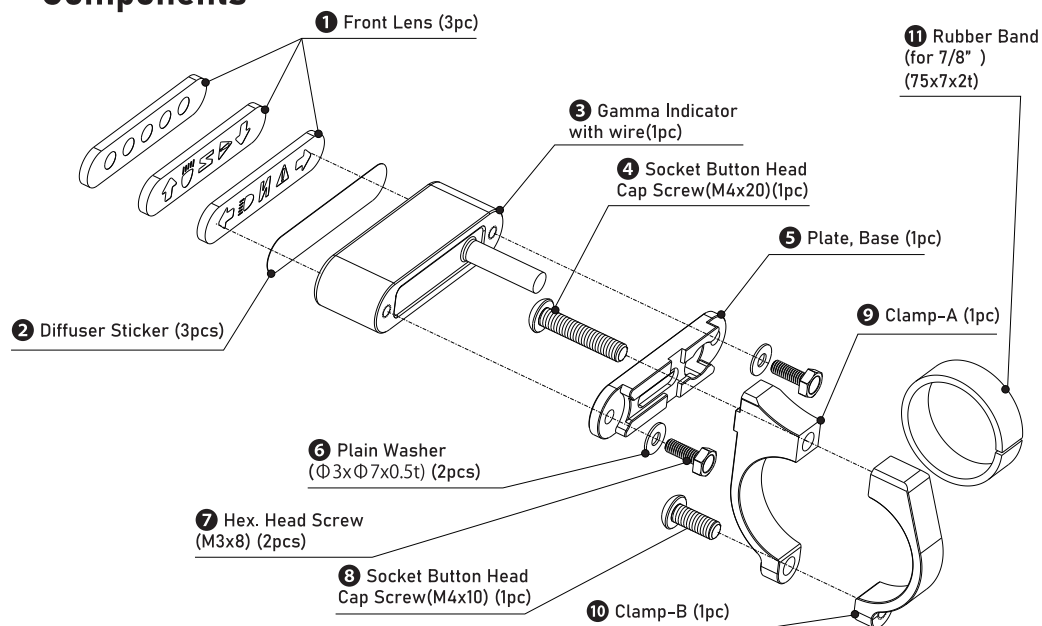
- 5 LEDs for neutral, hi-beam, warning, and 2 indicators in compact aluminum housing.
- Three different faceplates are included in the package for you to choose one to your liking.
- Mounting clamp is black anodized aluminum.
- Mounting clamp is compatible with 7/8" (22.2mm), and 1" handlebars.
- Vertical and horizontal installation on the handlebar is possible.
- Waterproof housing.*

*Waterproofing is only available when diffuser layer and lens are installed correctly.

Caution

- Read all the instructions before use.
- This product can only be used with 12V battery vehicles. (Will NOT work with 6V or no battery vehicles.)
- This product can be used on most vehicles with the correct wiring. (May not work with some vehicles due to special wiring of the vehicle. If you are not sure, consult to a dealer.)
- Refer to the vehicle owner's manual before wiring.
- LEDs may not work if wiring is not correct.
- Inspect all installed parts after 100km driving. Periodical inspection is required every 500km (300mile). If you notice anything unusual, pull over to a safe place and check.

Components

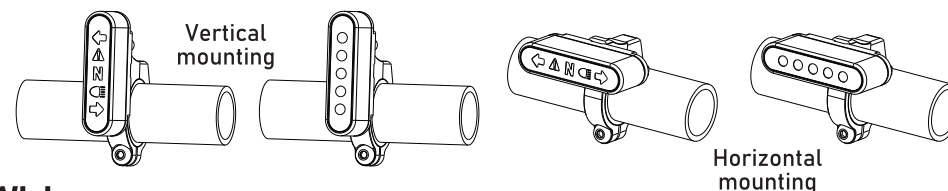


How to Install

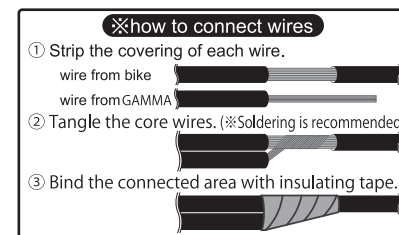
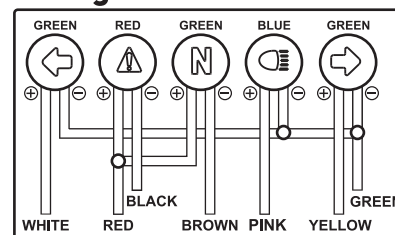
- Temporarily install 9 Clamp-A and 10 Clamp-B onto handlebar using 3 Screw (M4x10). For 7/8" (22.2mm handlebars, put 11 Rubber Band between handlebar and clamp.
- Assemble the 5 Plate using 4 Screw (M4x20) vertically or horizontally to your liking. In case of vertical mounting, run 7 Screws through their holes on the 5 plate, before installing 5 Plate to the clamp.
- Tighten 4 Screw, and 8 Screw, and make sure clamp is securely fixed.
- Install 3 Gamma Indicator onto 5 Plate using 6 washer and 7 screws, and make sure it's securely fixed. In case of vertical installation, use a thin spanner or a needle nose plier to tighten 7 Screws.
- Refer to the vehicle owner's manual, and connect each wire.

*Cut and strip the wires if needed. You may refer to the "How to Connect Wires" section. *OEM Wiring Color List is only for your reference. Wiring color may be different between model, country, or model year. Please check with vehicle owner's manual or voltmeter.

- Install 2 Diffuser sticker to the 3 Indicator. Check the colors of the LED and install a 1 Front Lens to your liking. Make sure symbols and LED colors match before installing the 1 Front Lens.
- Check if each LED is functioning properly. If everything works correctly, finish the installation.



Wiring



OEM Wiring Color List

GAMMA	WHITE	RED	BLACK	BROWN	PINK	YELLOW	GREEN
	Direction Indicator (L) ⊕	Warning ⊕ & Neutral ⊕	Warning ⊖	Neutral ⊖	Hi-beam ⊕	Direction Indicator (R) ⊕	Direction Indicator (L&R) ⊖ & Hi-beam ⊖
HONDA	orange	black/brown or pink/blue	blue/red	light green/red or light green	blue	light blue	green
YAMAHA	dark brown	brown	black/red	light blue	yellow	dark green	black
SUZUKI	black	orange	green/yellow	blue	yellow	light green	black/white
KAWASAKI	green	brown/white	blue/red	light green	red/black	gray	black/yellow
H-D all models (96UP)	violet	orange	green/yellow	tan	white	brown	black

*OEM Wiring Color List is only for your reference. Wiring color may be different between model, country, or model year. Please check with vehicle owner's manual or voltmeter.